

Valmatic®

LIQUIDS TAKE SHAPE



Val56™

AUTOMATIC LINE FOR THE
THERMOFORMING, FILLING AND
SEALING OF SINGLE-DOSE PACKAGING



SCAN THE QR
CODE TO FIND
MORE INFO



Val56™

VAL56™ IS THE ENTRY LEVEL VALMATIC MODEL WITH HIGH SPEED PERFORMANCE

Compact but fast VAL56™ has in fact a high productivity up to 40 strokes per minute. The in-line printer makes the customer independent from external suppliers and offers the possibility of producing even small batches for presentations, fairs or sampling without waste. The main stations of the VAL56™ and each single filling syringe are managed by operator panel through servomotor ensuring optimal performance and simple control even by less expert operators.



Print centering on both sides



Allows various settings



Filling with two different products



Up to 40 cycle/minute



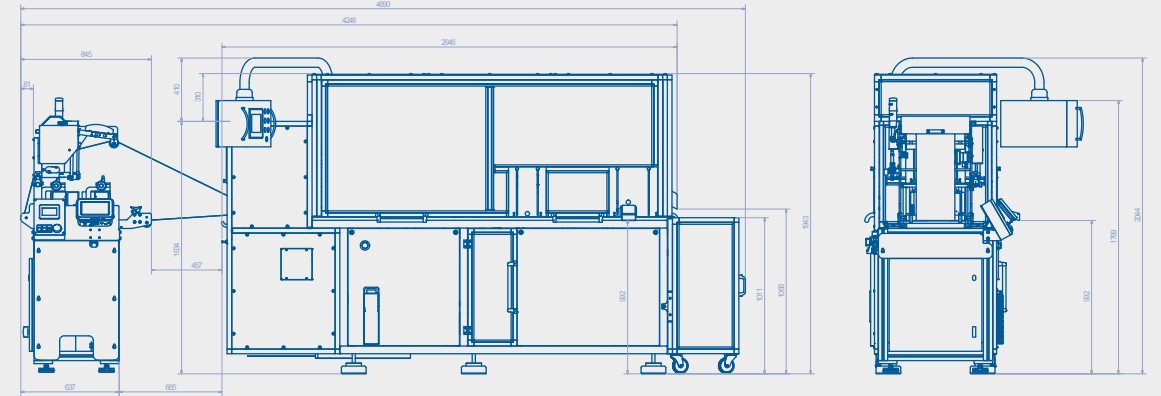
Flat bottom stand-up container



SINGLE-DOSE PACKAGING FROM 0,20 ml TO 150 ml



TECHNICAL FEATURES:



DIMENSIONS	3121 x 1008 x 1531 height (mm)
WEIGHT	1200 Kg
PRODUCTION CYCLES	Up to 40 cycles per minute
FILLING CAPACITY	From 0,20 ml up to 150 ml
MATERIALS	PET mono, PE mono, PAPER, PVC/PE, PET/PE, PVC/PVDC/PE, PET/EVOH/PE, PP/PET/EVOH/PE, ACLAR/PET/PE, PS/PE, PP/PE, PCTFE/PET/PE/EVOH/PE, PP/COC/PP/PE, PP/COC/EVOH/PP and plastics laminated with Aluminium or paper.
MACHINE PITCH	56,2 mm
INDUSTRY APPLICATION	Cosmetic, house-hold, food, chemical, pharmaceutical, veterinary.
FILLING	Liquid products, gel, creams and powder

Valmatic®

LIQUIDS TAKE SHAPE



Valmatic s.r.l.

Via Turati 5, 41030,
San Prospero (Modena) ITALY

Tel. +39 059.90.65.50
Fax +39 059.90.65.57

E-mail commerciale@valmaticsr.com
www.valmaticsr.com



Visit our
web page
and contact us