

Valmatic[®]



LIQUIDS TAKE SHAPE



Mi.Ri.[™]

MINI FILLER MACHINE FOR
FILLING AND SEALING OF VIALS



SCAN AND WATCH
TO FIND MORE INFO



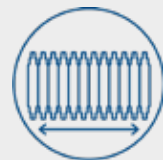
Mi.Ri.™

Mi.Ri.™ IS A SIMPLE LINE
FOR THE FILLING AND
CLOSING OF PRE-FORMED
VIALS AND MONODOSE

Mi.Ri.™ is a semi-automatic machine for the vertical filling, sealing and cutting of preformed packaging and vials in plastic film. Ideal for the production of limited batches, it's a solution for customers who want to produce sterile and nonsterile vials in their laboratories. Valmatic also supplies sterile vials with volume from 0,50 to 10 ml. Mi.Ri.™ Flex is last generation versatile model for customers that need to fill single-dose and vials from 0,50 to 30 ml.



From 1 to 20
manufactured pieces



Flex available for volume
from 0,50 to 30 ml



Compatible with
pre-formed vials



Graphic
customization



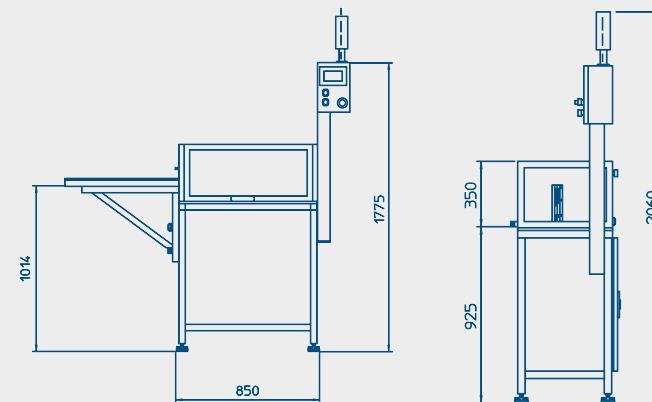
Fed with pre-formed
open containers in rolls



Mi.Ri.™ FLEX IS THE LAST GENERATION MODEL FOR THE FILLING OF MONODOSE WITH VOLUME FROM 0,50 ml TO 30 ml



TECHNICAL FEATURES:



DIMENSIONS	1751 x 564 x 2060 height (mm)
WEIGHT	160 Kg
PRODUCTION CYCLES	Up to 25 cycles per minute
FILLING VOLUME	From 0,50 to 10 ml Mi.Ri.™ Flex from 0,50 to 30 ml
MATERIALS	PVC/PE, PET/EVOH/PE, PAPER and other thermoformable materials.
VIAL PITCH	Mi.Ri.™ standard 17,40 mm Mi.Ri.™ Flex 17,40mm, 26,10mm, 34,80mm

Valmatic®

LIQUIDS TAKE SHAPE



Valmatic s.r.l.

Via Turati 5, 41030,
San Prospero (Modena) ITALY

Tel. +39 059.90.65.50
Fax +39 059.90.65.57

E-mail commerciale@valmaticsr.com
www.valmaticsr.com



Visit our
web page
and contact us